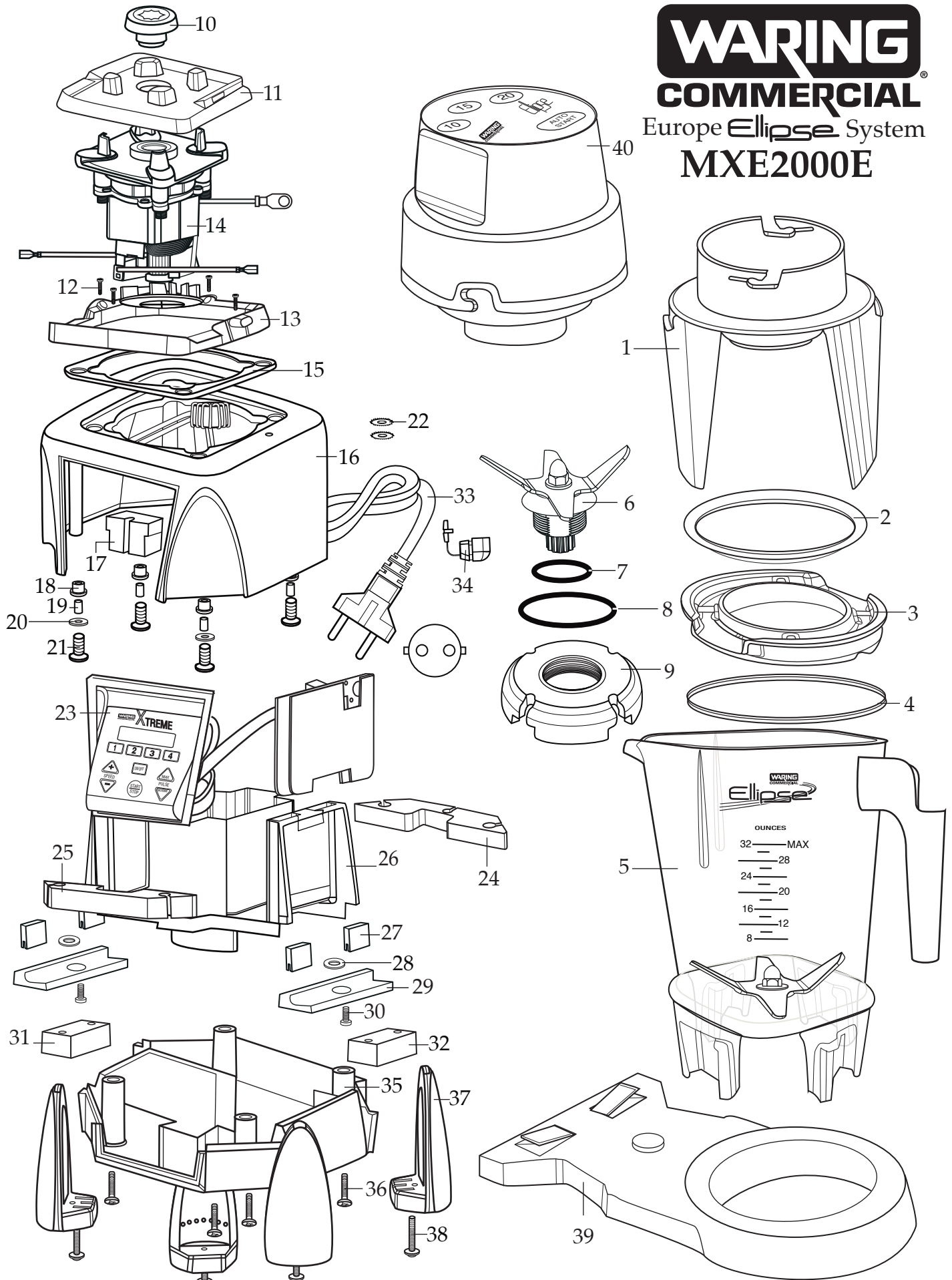


# WARING COMMERCIAL®

Europe Ellipse System  
**MXE2000E**



Illustration#	Part#	Description
1	038214	Dasher
2	038622	V-Ring Seal
3	038210	Jar Lid (black)
4	038212	Gasket
5	038213 503612	Jar Only Jar with Blending
6	503397	Blade Assembly
7	024271	O Ring
8	038491	O Ring
9	038630 038490	Blade Assembly Nut ( <i>on units after 12/13/2022</i> ) Hex Nut
10	503601	Sq. Drive Coupling with Adapter
11	037523	SE1500 Jar Pad
12	038306	Screw (4 required)
13	037521	Sound Enclosure Adapter Jar Pad
14	035399	Leili Motor with Sensor
15	026437	Dampening Plate Gasket
16	028032-24-E-67	Top Housing ( <i>dark blue comes with top housing, cord, ferrite, motor housing, bottom housing</i> )
17	028541	Motor Foam (2 required)
18	026439	Dampening Plate Bushing (4 required)
19	026453	Dampening Plate Sleeve (4 required)
20	026459	Washer (2 required)
21	028929	Sems (4 required)
22	002943	Washer (4 required)
23	038620	Control Panel
24	028248	Top Housing Foam Rear Baffle
25	028249	Top Housing Foam Front Baffle
26	036814	2.78" Motor Housing
27	034900	PCB Cushions (4 required)
28	037232	Neoprene Washer (2 required)
29	037007	PCB Mounting Bracket (2 required)
30	013768	Screw (2 required)
31	028247	Bottom Housing Foam Baffle
32	028542	Foam Baffle
33	030848	Cord

Illustration#	Part#	Description
34	007556	Strain Relief
35	028241-24-X	Bottom Housing (dark blue)
36	012505	Screw (4 required)
37	026430	Corner Post (4 required)
38	028928	Sems (4 required)
39	038305	Docking Station
40	038216-24	Drive Assembly (dark blue)

